

Smart 230V 200N White Motor

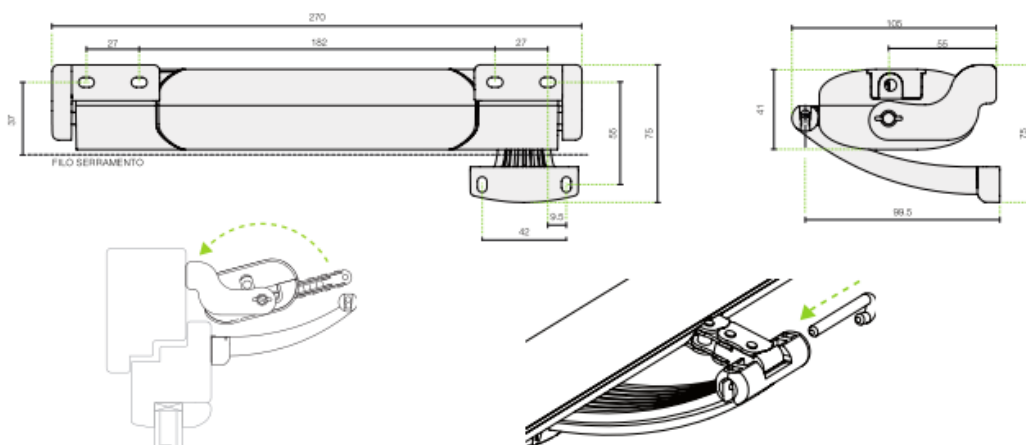


Compact, quick and powerful, the SMART electric chain actuator is designed for opening and closing outward windows, sheds, skylights and wooden, PVC and aluminium vasistas windows.

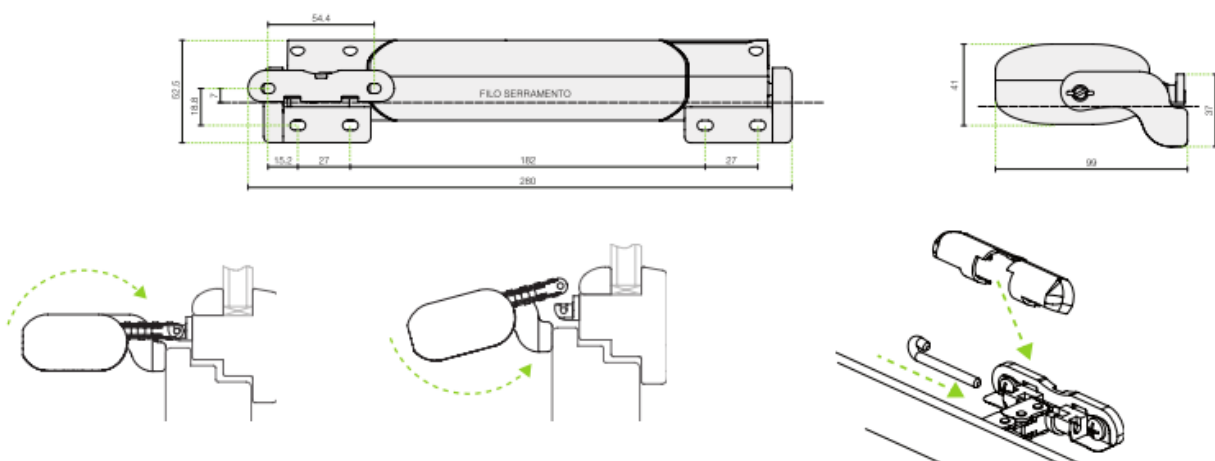
Small and compact in size yet powerful, the double track chain provides increased power in pushing and pulling.

- Soft start and stop
- Without control unit
- Obstacle detection
- Stroke limit – resistance
- Speed 16mm/second
- Thrust force: 200N
- Tensions: 230V
- Type of service S2 – 4min
- Temp min-max: -5°C/+50°C
- Available in 3 colours :- white, grey and black

Bottom hung inward opening window



Top hung outward opening window



The actuator is packed individually in a cardboard box.

Each pack contains:
 Electric actuator, 230VAC 50Hz with electric supply cable, support brackets, fixing bracket for top-hung window, fixing bracket for bottom-hung window and instruction manual.