

CHARISMA COCKSPUR

cockspur operating handle

The Charisma Cockspur is a proven contemporary design with superb styling for PVC-u, aluminium and timber window applications.

Designed with a slender grip, the cockspur has been engineered with a simple release button and high quality locking cylinder for ease of use and long term performance.

Locking automatically on closing, the handle may be simply released by depressing the button, or deadlocked for added security.

The Charisma Cockspur is available in two alternative nose heights, 12mm and 21mm, together with a selection of striker wedges to suit alternative profile designs.

A contemporary range of finishes in gold, white, black and satin chrome are available.

The Charisma Cockspur is a traditional locking solution for windows offering security, performance and versatility.

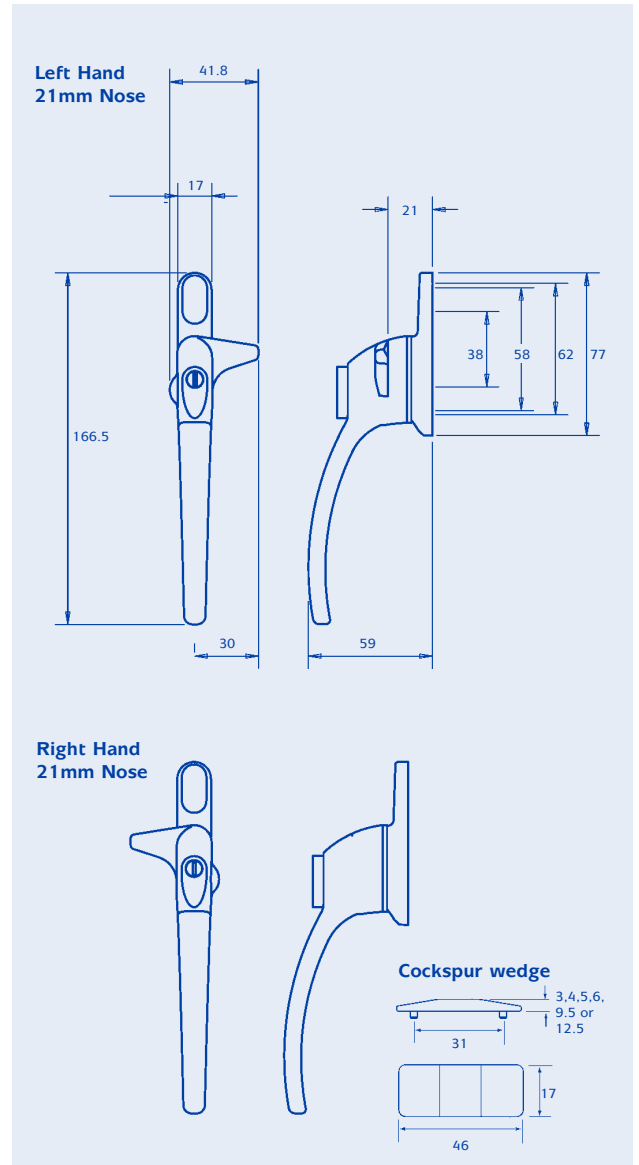


Technical information

Corrosion resistance:	Meets the Requirements of BS EN 1670:2007
Operation:	LSH (UK) Internal Test Procedure D0102

Material specification

Handle Grip & Back Plate:	Zinc Alloy Castings to BS EN 12844:1999
Coatings:	White and Black Powder Paint Polished Gold Satin Chrome Plate electroplated to BS EN 12540:2000
Cylinder:	Zinc Alloy Casting and Nickel Plate
Button:	Acetal (POM) (black)
Wedges:	Nylon (white or black)
Screw Cover:	Push to fit black or white elastomer, Self adhesive gold or silver anodised aluminium



Product Options

Available in White, Black, Gold and Chrome finishes. Handed In-line version only. Locking or Non-locking option. Buttons available in Black.