

BL5408 S/Steel Push Button Coded Lock

For use with Omec panic bar and latch range



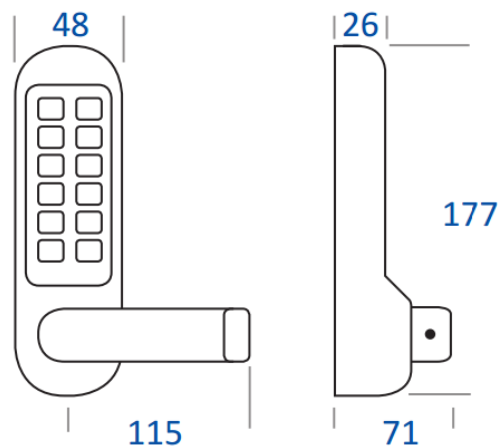
This mechanical push button coded locks is designed for applications where medium to heavy duty usage is expected.

This design offers a strengthened clutch and coding chamber as well as a flat bar lever handle.

Product Code: PB1000

Features

- Clutched keypad handle
- Cycle tested to 100,000 operations
- Over 2000 code combinations available
- Optional Free passage function
- PVD coated finish
- Suitable for sheltered external applications
- Non-handed keypad-easily reversible on site
- Compatible with Omec range of panic hardware



Building Profiles Limited

Timothy's Bridge Road
Stratford-upon-Avon
Warwickshire CV37 9NQ

T: 01789 414044

F: 01789 415273

E: info@buildingprofiles.co.uk

W: www.buildingprofiles.co.uk