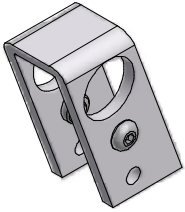
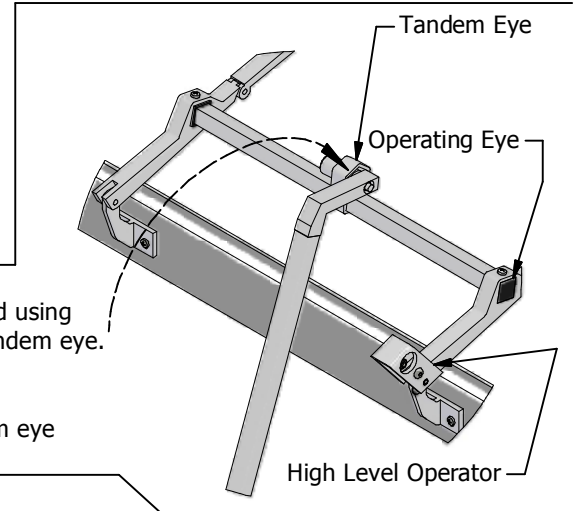


OPERATOR FOR HIGH LEVEL FOLDING OPENERS

The High Level operator (HLO) is suitable for folding openers that are required to be operated at high level (can't be operated by hand from floor level). The HLO is not suitable for use with the 110, heavy duty or FoPlus types of folding openers. The HLO can be purchased for retro-fit purposes using the part number KP1067 or, alternatively, it can be ordered as an integral part of an assembled folding opener by simply adding the 'H' suffix to the part number but preceding the required finish e.g. 11207**HANSAT**.



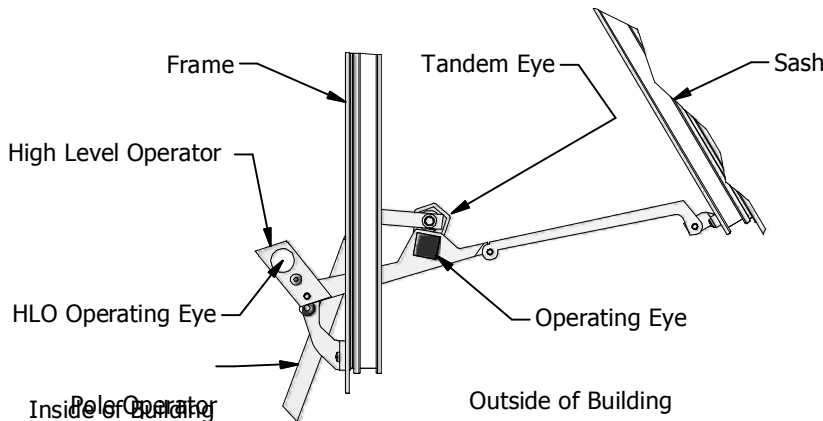
It is particularly suited for use on the extended folding openers, this allows good levels of ventilation to be achieved whilst also enabling the window to be easily and quickly closed after use.



Step 1.

Open window in normal manner. Single folding openers should be opened using the operating eye. Linked folding openers should be opened using the tandem eye. A pole operator will be required to do this due to it being high level operation.

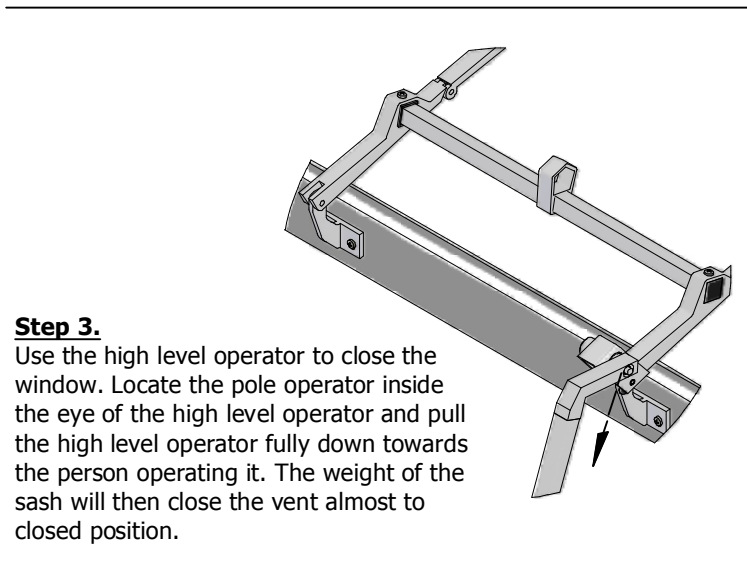
Note : When the folding opener reaches its fully open position the tandem eye may be out of sight to the operator.



Step 2

Attempt to close the window with a pole operator. At this stage the tandem eye and operating eye are often out of sight to the operator. This is because they have moved over outside of the window.

If however the folding opener can still easily be closed then proceed to step 4. If the folding opener can not be easily closed then proceed to step 3.

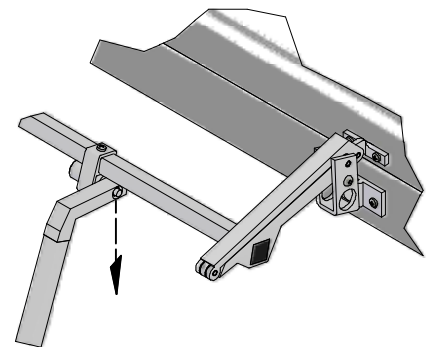


Step 3.

Use the high level operator to close the window. Locate the pole operator inside the eye of the high level operator and pull the high level operator fully down towards the person operating it. The weight of the sash will then close the vent almost to closed position.

Step 4.

After removing the pole operator from the eye of the HLO, and using the operating eye or tandem eye of the folding opener, pull downwards on the pole operator until the sash is fully closed. Care should be taken to ensure that all folding openers are snapped shut into their locked position.



Patent Applied For. Application No. - GB1204317.0.

All of the information shown on this data sheet was correct at the time of issue. All information however is subject to change and therefore it is advisable to check to ensure that you have the latest issue level.